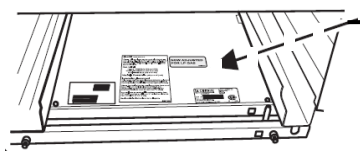
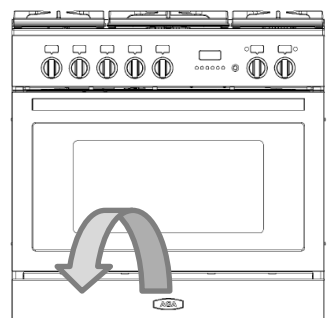
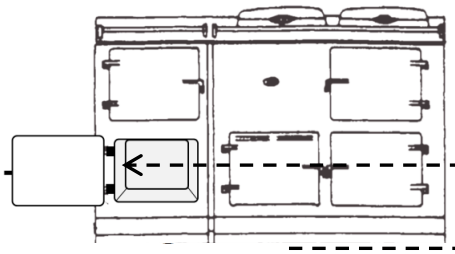
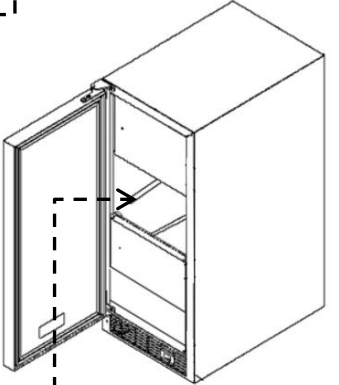
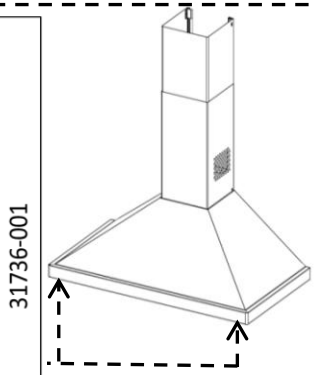


Left bottom front of liner

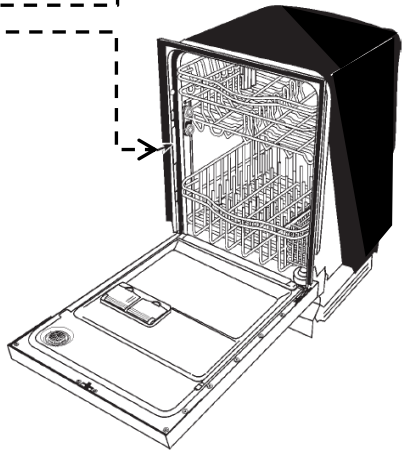
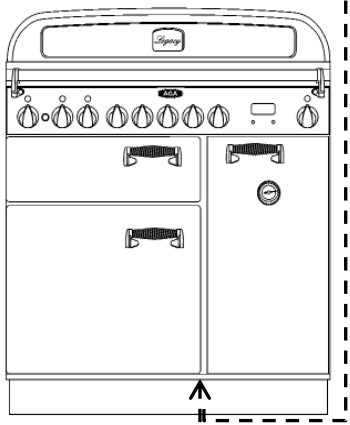
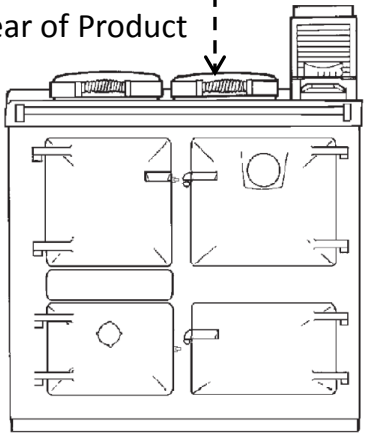


AGA MARVEL
 GREENVILLE, MI 48838 MADE IN USA

MODEL NO.	SERIAL NO.
M60CSS-WS	20130627143H
SERVICE NUMBER	
M60CSS-WS	
115 VOLTS60HZ	1 PH
AMPS 7.0	POWER MODULE(S)
FOR USE WITH AGA MARVEL POWER MODULE(S)	FREEZER REFRIGERATOR
	NM11BF NM11BF



Rear of Product



Refrigeration Products



Your serial number can be found in the chiller/freezer compartment.

Dishwashers



The serial number will be located on the side of the door.

Range cooker



HANSENMASTER NEXUS 110 INDUCTION STAINLESS STEEL
SER. No. 11780 001002
11780 001002 11780 001002 11780 001002

Hoods



To find the serial number remove and look behind the grease filters.

Built-in ovens



The serial number will be on the front frame visible when the door is open.

Enter the product code followed by serial number.